

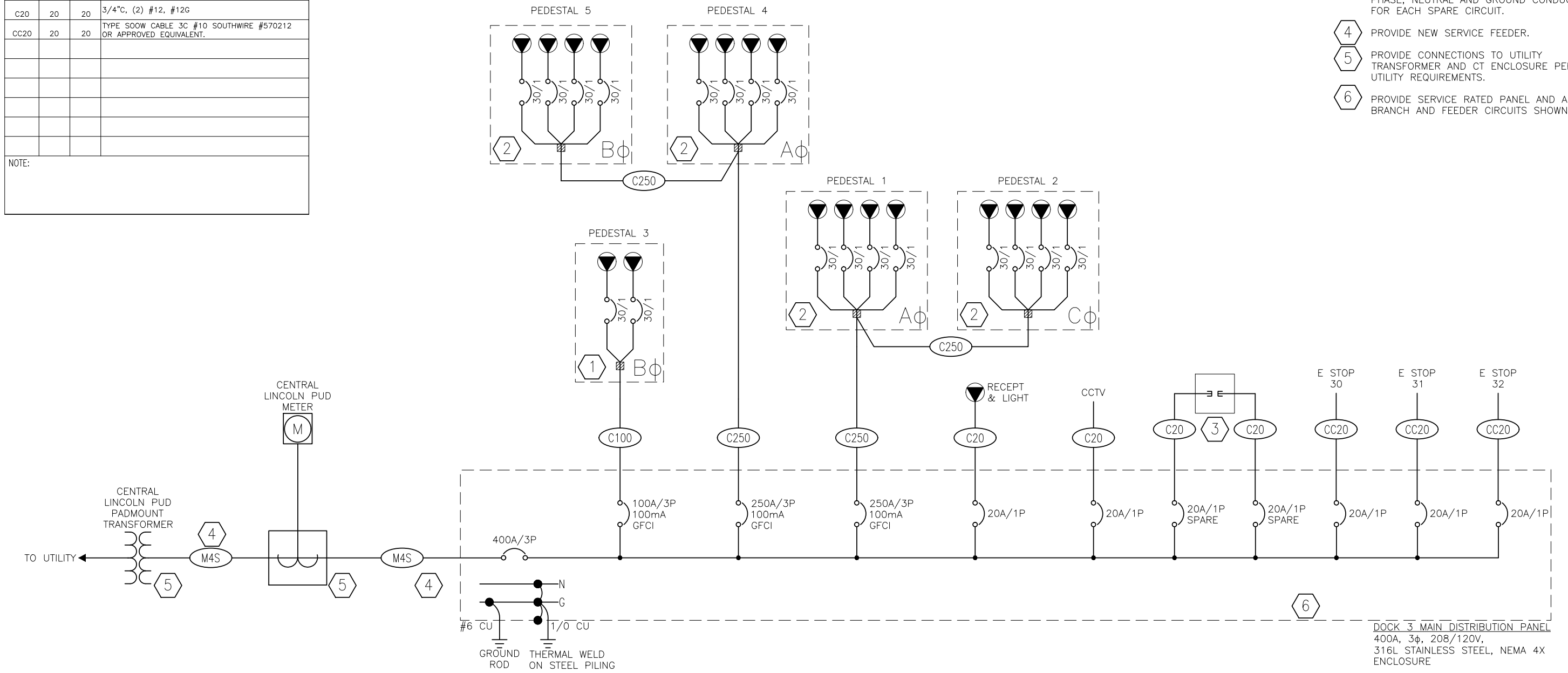
FEEDER SCHEDULE

FEEDER DESIGN	RATED AMPS	MAX OCPD	CONDUIT AND CONDUCTORS
M4S	380	400	3-1/2" C, (4) #500 KCML CU
2M4S	760	800	2[3-1/2" C, (4)] #500 KCML CU
C100	101	100	TYPE W CABLE, 4C #4 SOUTHWIRE #558156 OR APPROVED EQUIVALENT.
C250	277	250	TYPE W CABLE, 4C #4/0 SOUTHWIRE #560069 OR APPROVED EQUIVALENT.
C20	20	20	3/4" C, (2) #12, #12G
CC20	20	20	TYPE SOOW CABLE 3C #10 SOUTHWIRE #570212 OR APPROVED EQUIVALENT.

NOTE:

KEY NOTES

- 1 INSTALL EATON "LIGHTHOUSE" MARINE POWER PEDESTAL. FURNISHED BY THE PORT.
- 2 INSTALL EATON "LIGHTHOUSE" MARINE POWER PEDESTAL. FURNISHED BY THE PORT.
- 3 RUN #12 CONDUCTORS FROM SPARE CIRCUIT BREAKER TO WEATHERPROOF JUNCTION BOX. INSULATE CONDUCTORS WITH WIRE NUTS FOR FUTURE USE. INCLUDE A PHASE, NEUTRAL AND GROUND CONDUCTOR FOR EACH SPARE CIRCUIT.
- 4 PROVIDE NEW SERVICE FEEDER.
- 5 PROVIDE CONNECTIONS TO UTILITY TRANSFORMER AND CT ENCLOSURE PER UTILITY REQUIREMENTS.
- 6 PROVIDE SERVICE RATED PANEL AND ALL BRANCH AND FEEDER CIRCUITS SHOWN.



DOCK 3 MAIN DISTRIBUTION PANEL  
 400A, 3φ, 208/120V,  
 316L STAINLESS STEEL, NEMA 4X  
 ENCLOSURE

THIS DOCUMENT IS THE PROPERTY OF ALLIANCE CONSULTING ENGINEERS LLC. IT IS FOR USE BY ALLIANCE CONSULTING ENGINEERS LLC IN THE CONSTRUCTION OF THIS PROJECT. NO OTHER USE IS PERMITTED WITHOUT THE EXPLICIT WRITTEN PERMISSION OF ALLIANCE CONSULTING ENGINEERS LLC. COPYRIGHT © 2025, ALLIANCE CONSULTING ENGINEERS LLC.

NO.	DATE	REVISION DESCRIPTION	DRAWN BY	ENGR BY	CHECKED BY	APVD BY
A	06/13/25	ISSUE FOR BID	MF	NF	NF	NF

DRAWN BY	MF
ENGR BY	NF
CHECKED BY	NF
APVD BY	.

- CONCEPT
- FOR REVIEW
- FOR BID
- FOR MANUFACTURE
- FOR CONSTRUCTION
- FOR RECORD



**Port of Newport**

TITLE  
 PORT OF NEWPORT  
 NEWPORT, OR  
 DOCK 5 & 3 RENOVATION  
 DOCK 3 ONE-LINE DIAGRAM

SCALE: NO SCALE      DRAWING No. PON-E10-910      SHEET OF REV 1 1 A